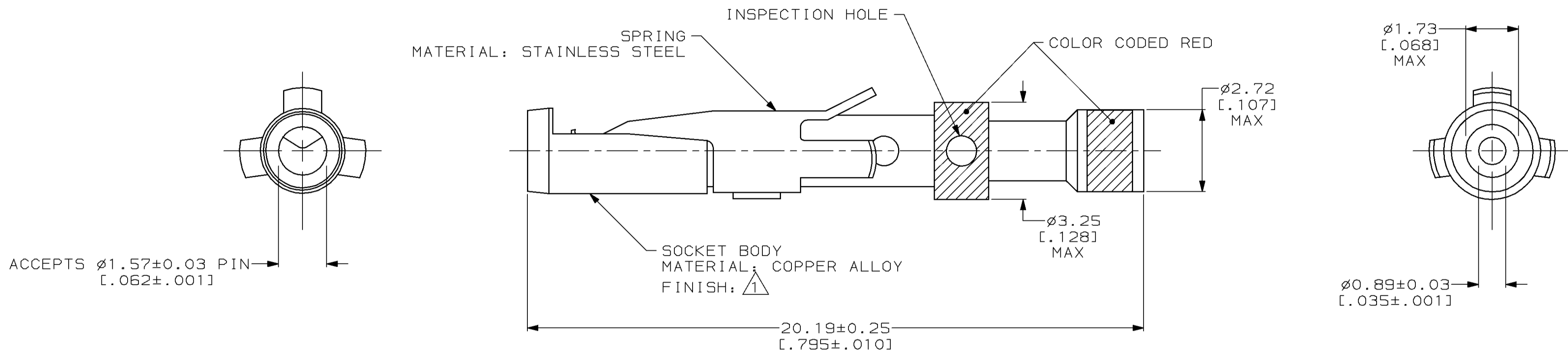


THIS DRAWING IS UNPUBLISHED. RELEASED FOR PUBLICATION
 BY AMP INCORPORATED. ALL RIGHTS RESERVED.

REVISIONS				DATE	DWN	APVD
P	LTR	DESCRIPTION				
R		REDRAWN W/O CHANGE PER EC 0320-98-96	24 NOV 97	-	-	-



1 0.76µm [0.00030] MIN GOLD OVER 1.27µm [0.00050] MIN NICKEL.

201613-1
 PART NUMBER

THIS DRAWING IS A CONTROLLED DOCUMENT.		DWN B. CARBO 24 NOV 97	AMP Incorporated Harrisburg, PA 17105-3608	
DIMENSIONS: mm [INCHES]		CHK R. STONE 09 DEC 97	NAME G. STEINHAUER	
TOLERANCES UNLESS OTHERWISE SPECIFIED:		APVD G. STEINHAUER 16 DEC 97	PRODUCT SPEC	
0 PLC ±-	1 PLC ±-	APPLICATION SPEC	CONTACT ASSEMBLY, SOCKET, #16, 24-28AWG, TYPE II	
2 PLC ±0.13 [0.005]	3 PLC ±-	WEIGHT	SIZE A2	CAGE CODE 00779
4 PLC ±-	ANGLES ±-	CUSTOMER DRAWING	DRAWING NO 201613	RESTRICTED TO
MATERIAL SEE CALLOUTS	FINISH SEE CALLOUTS	SCALE 10:1	SHEET 1 OF 1	REV R

201613